

7-Pin, Metal-Shell Circular Connectors, Military-Type

Product Facts

- 15 KVDC operating voltage, up to 70,000 feet [21,336 m]
- Current carrying capacity — 7.5 A continuous per line for 20 AWG wire
- Metal shell available for complete shielding and rugged operation
- Molded-in Size 20 contacts are fully shrouded
- Molded glass epoxy and silicone rubber interface for positive sealing
- Polarized plug and receptacle housings help prevent mismatching
- Designed to meet applicable specifications
- Hermetically sealed receptacles available
- Operating temperature range from -67°F to +257°F [-55°C to +125°C]
- Moisture resistant
- Corona resistant



Product Specification — 108-36030

AMP 7-Pin Miniature Circular Connectors, when properly assembled and mated, safely carry 15 KVDC (pin-to-pin and pin-to-ground) through a full range of military environmental requirements. The connectors can carry a continuous current of 7.5 amperes per line when terminated to 20 AWG wire. The receptacle

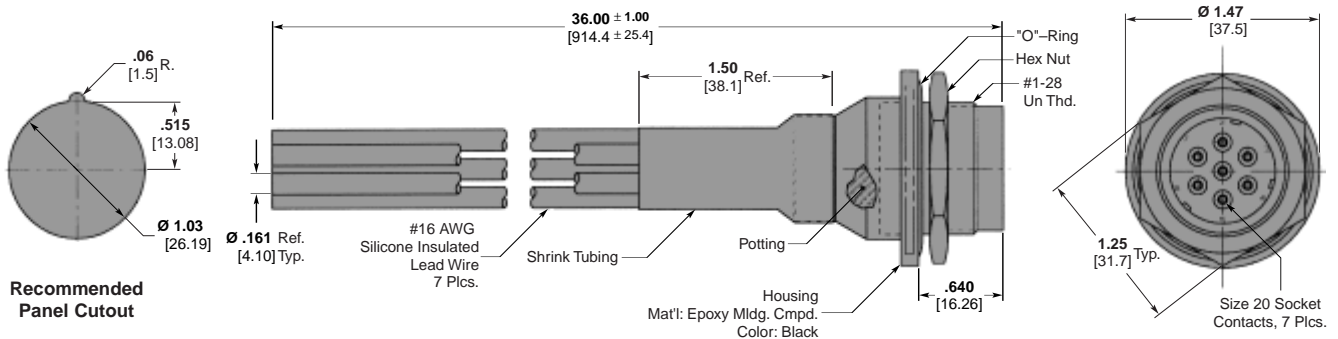
is hermetic and can be mounted with an O-ring flange or solder flange for various industrial and military applications.

This connector family features size 20 gold-plated pins and sockets which are fully shrouded for safe handling, polarized housings to assure proper mating, and

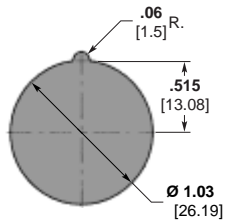
a molded glass epoxy and silicone rubber interface for positive sealing.

AMP 7-Pin Miniature Circular Connectors are available in a wide variety of configurations, including a metal shell version for RFI shielding and rugged handling.

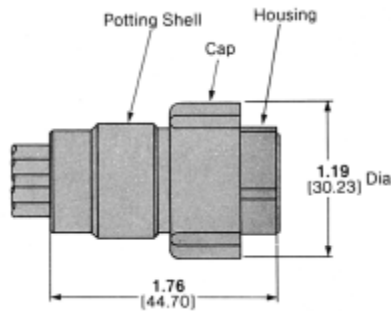
Receptacle Lead Assembly



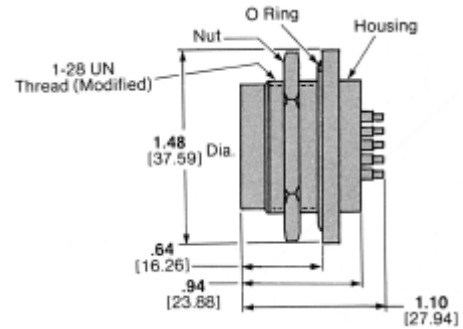
Plastic Shell



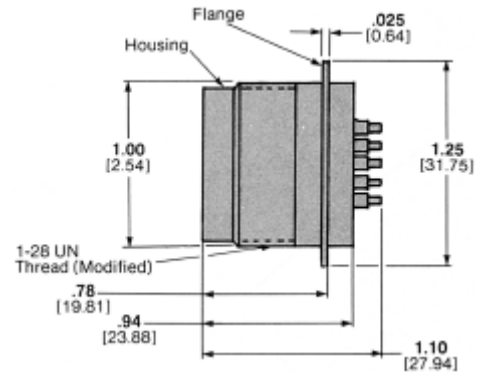
Panel Cutout for Receptacles



Potted Plug Kit
Part Number 865594-1

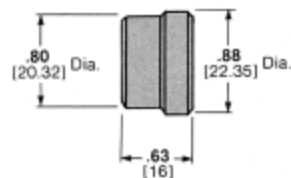


Potted Receptacle
Part Number 861999-1 (Non-hermetic)
Part Number 862794-1 (Hermetic Seal)

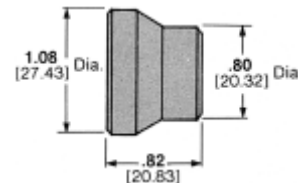


Receptacle for Hermetic Seal,
Solder-Flange-Mount
Part Number 862005-1

Potting Shells

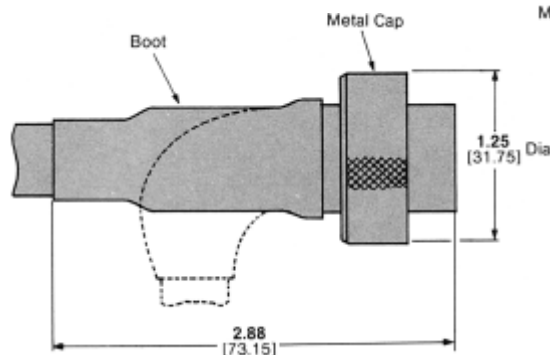


Plug Potting Shell
Part Number 862544-1

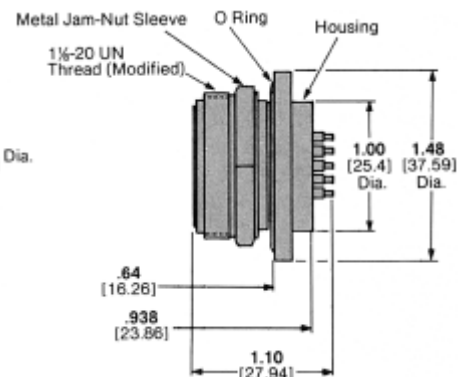


Receptacle Potting Shell
Part Number 862256-1

Metal Shell



Plug Kit
Part Number 865656-1 (Straight Boot)
Part Number 865656-2 (Right-Angle Boot)
Part Number 865656-3 (No Boot)



Receptacle
Part Number 862004-1 (Non-hermetic)
Part Number 866182-1 (Hermetic Seal)