

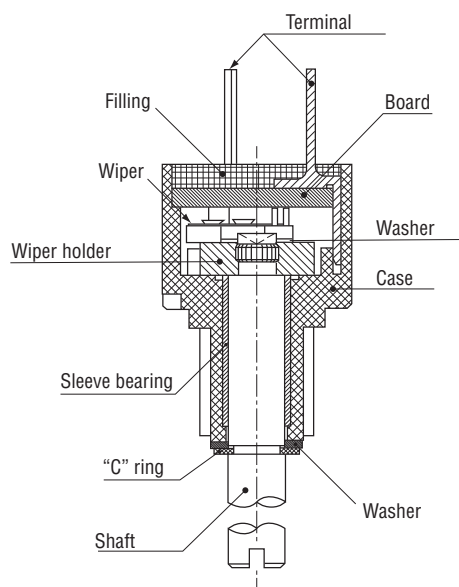
# CONDUCTIVE PLASTIC SINGLE TURN TYPE

# JC10 series

RoHS compliant



## Basic construction Conductive plastic single turn type



## FEATURES

- Compact ( $\phi$  10 mm)
- Long life
- High resolution (Essentially infinite)
- High following characteristics
- Cost effective
- RoHS compliant

## PART NUMBER DESIGNATION

JC10-000-202N

Series name

Nominal resistance value ( $\Omega$ )  
2 k, 5 k, 10 k

## LIST OF PART NUMBERS

Nominal resistance value	Part number
2 k $\Omega$	JC10-000-202N
5 k $\Omega$	JC10-000-502N
10 k $\Omega$	JC10-000-103N

## RATED POWER DERATING CURVE

