

KILOVAC CAP202 Series Aerospace Commercial Contactor with 2 Form X (DPST-NO), Contacts Rated up to 300 Amps, 12-600 Vdc

Product Facts

- Designed to be the smallest, lightest weight, lowest cost High Voltage DC contactor with its power ratings
- Not sensitive to power connection polarity
- Built-in electronic coil economizer (other types possible for special applications)
- Up to 4 optional auxiliary contacts, each with three optional configurations: SPTST-NO, SPST-NC and SPDT
- Hermetically sealed-intrinsically safe, operates in explosive/harsh environments with no oxidation or contamination of coil or contacts, including long periods of non-operation
- Versatile coil and power connections



Coil Operating Voltage

Voltage/Nominal Max.	28-32VDC
Pickup Voltage Max.	18VDC
Inrush Current (Max.) @ 28 Vdc	4.0A
Inrush Time (Max.)	150ms
Hold Current (Max.)	0.35A
Drop Out	4 to 8 Vdc
Main Contacts: Operate Time (max.)	25 mS
Main Contacts: Operate Bounce (max.)	10 mS
Main Contacts: Release time	15 mS
Auxiliary Contacts Operate/Release	Within ± 5mS

Ordering Information

Typical Part Number ►

CAP202 A A A N A

- Series:** _____
CAP202 = 500 Amp, 12-900VDC Contactor
- Contact Form:** _____
A = Normally Open
M = Normally Open with Aux. Contacts Config
- Coil Voltage:** _____
S = 28 Vdc Coil with Mechanical Dual Coil Economizer
- Coil Wire Length:** _____
A = 15.3 in (390 mm)
B = 6.0 in (152 mm)
- Coil Terminal Connector:** _____
N = None
E = 9-pin subminiature "D" plug mounted on contactor housing
F = 9-pin subminiature "D" plug mounted on 15.3 in (390 mm) flying leads.
X = Special configuration (consult factory)
- Mounting & Power Terminals:** _____
A = Bottom Mount & Female
M6 x 1.0 2X M5

Performance Data

- Contact Arrangement, Power Contacts** — DPST-NO Form X
Mechanical Life — 100,000 cycles
- Voltage Rating** —
Main Contacts (max) — 600 Vdc
Auxiliary Contacts — 30 Vdc
- Current Rating, Continuous** —
Main Contacts 1 — 300 A
Auxiliary Contacts — 3 A
- Contact Resistance** —
Main Contacts —
100 mΩ max @ 1 amp
0.3 mΩ max @ rated current²
Auxiliary Contacts —
200 mΩ max
- Hot Switching Performance (Bi-Polarity)** —
100A make break @ ± 270Vdc —
50,000 cycles
250A make/ break @ ± 270Vdc —
1000 cycles
690A make/ break @ ± 360Vdc —
10 cycles

- Mechanical Life** — 100,000 cycles
Dielectric Withstand Voltage —
Terminal to Terminal/ Terminals to Coil —
1mA max @ 2,200Vrms
Insulation Resistance —
Terminal to Terminal/ Terminals to Coil —
100MΩ min @ 500Vdc
Shock, 11ms 1/2 Sine, Peak, Operating — 20 G
Vibration, Sine, 55-2000Hz., Peak — 20 G
Operating Temperature —
-55°C to +85°C
Weight, Nominal — 1.59 lb. (72 kg)

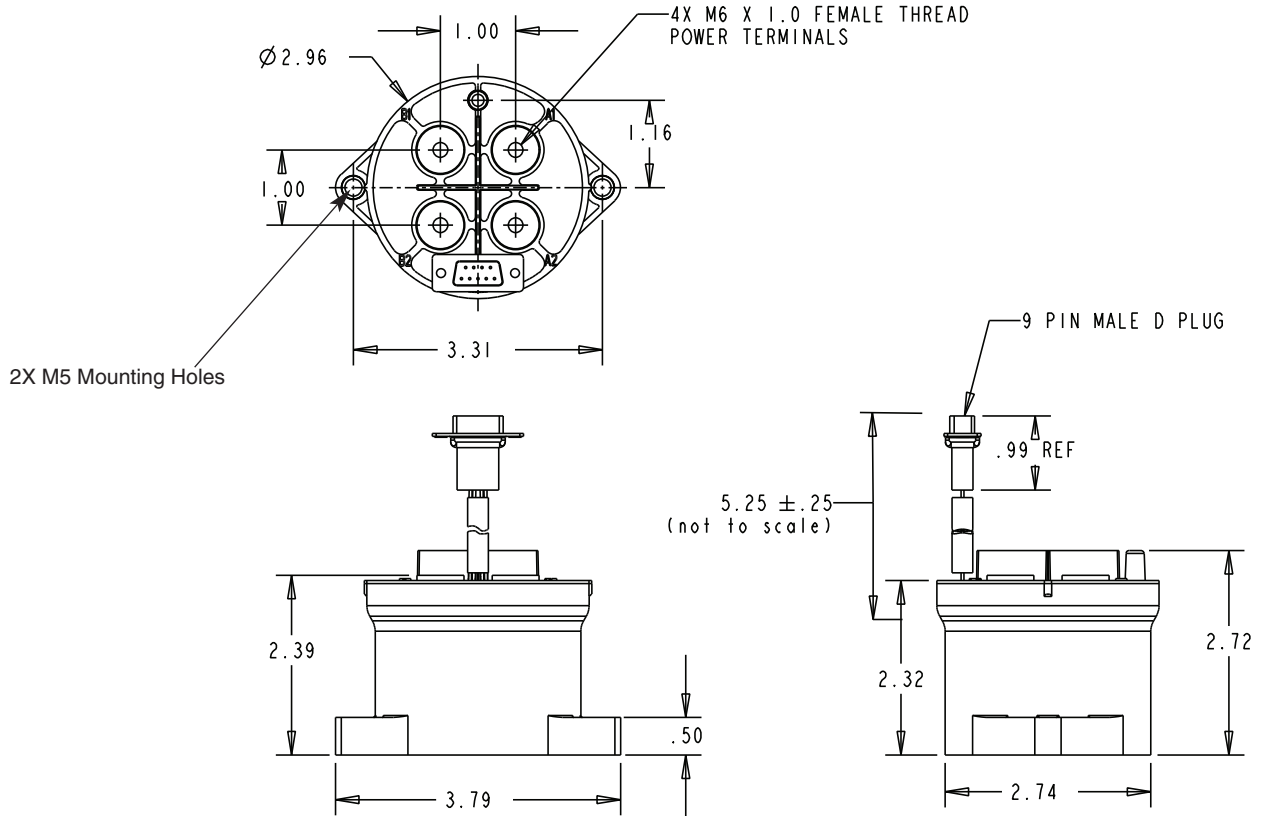
Notes:

- 1 Continuous current rating is affected by conductors attached. Keep terminals below 150°C continuous, 175°C for 1 hour max. and 200°C for 1 min. max.
- 2 Initial contact resistance may be higher than 0.3 mΩ, but will drop below within 30 minutes max.

For factory-direct application assistance, dial 800-253-4560, ext. 2055, or 805-220-2055.

KILOVAC CAP202 Series Aerospace Commercial Contactor (Continued)

Outline Dimensions*



For factory-direct application assistance, dial 800-253-4560, ext. 2055, or 805-220-2055.