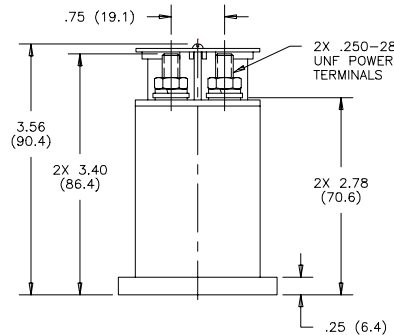
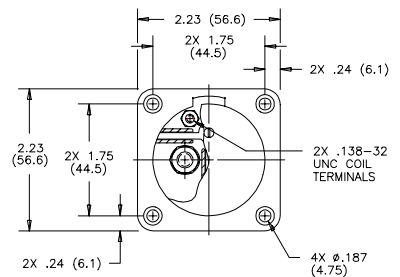
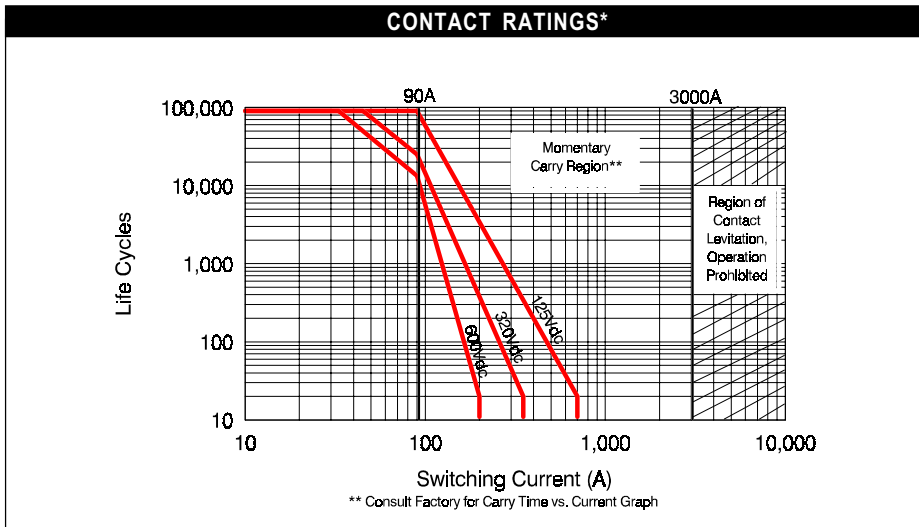


**Kilovac PD90X – 90 Amps ("Spud") Make & Break Load Switching**



**Features:**

- Vacuum dielectric for power switching
- 90 A carry, 350 A overload @ 320 Vdc
- Versatile power, voltage, and current operating range
- Ideal for circuit protection and control
- Bi-directional switching
- Fast operate and release time
- Low power consumption
- Vacuum-sealed contacts; can operate in harsh environments
- Meets many requirements of SAE ARD50031
- Optimized for power switching



**Contact Rating Notes:**

1. Maximum continuous current carry = 90A @  $T_A = 85^\circ\text{C}$ .
2. Maximum interrupt power = 110kW @ 25 $\mu\text{H}$ , across voltage range -0 to 600 Vdc.

\* Ratings for load power make, carry, & break based on data extrapolated from 270Vdc and 540Vdc testing with resistive load. Since each application is unique, user is encouraged to verify rating in actual application.

PRODUCT SPECIFICATIONS		
Part Number	UNIT	PD90X
Contact Arrangement .....		SPST-NO
Contact Form .....		X
Rated Resistive Load @ 320 Vdc .....	A	90
Continuous Current Carry, Max., 85°C .....	A	90
Overload (make & break) @ 320 Vdc .....	A	350
Load Life, @ 270 Vdc, Min. ....	cycles	25,000
Contact Resistance, Max. ....	ohms	0.002
Dielectric at Sea Level .....		
Power Terminals to Coil & all Other Points .....	Vrms	1,800
Shock, 11ms 1/2 Sine (peak) .....	G's Peak	25
Vibration, Sinusoidal (55-2000 Hz, peak) .....	G's	5
Operating Ambient Temperature Range .....	°C	-40 to +85
Operate Time, including Bounce, Max., 25°C .....	ms	35
Release Time, Max. ....	ms	10
Bounce Time, Max. ....	ms	8
Insulation Resistance @ 500 Vdc, Min., .....		
Initial/End of Life .....	Mohm	100/50
Weight, Nominal .....	gram (oz)	454 (16)

COIL DATA				
Volts, Nominal	12	24	125	Unit
Pickup, Max. @ 85°C	9.9	19.5	102	Vdc
Hold, Min. @ 85°C	4.3	8.7	45	
Dropout, Min. @ -40°C	0.6	1.4	6.0	
Coil Resistance ( ±10%)	19	76	1890	Ohms
Energy, Magnetic, Max.	.05	.05	.05	J

Coil resistance rated at 25°C

**PART NUMBER SELECTION**

Sample Part No. **PD90**  **X**  **B**  **5**  **7**

Contact Form  
X = SPST-NO Double Make

Coil Voltage  
A = 12 Vdc, Stud Terminals  
B = 24 Vdc, Stud Terminals  
C = 125Vdc, Stud Terminals

Power Terminals  
5 = Stud Terminals

Mounting  
7 = Panel Mount