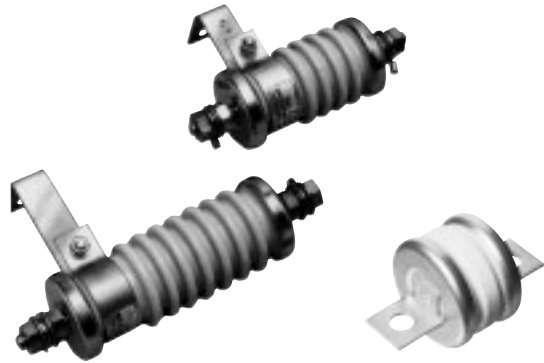


“ZNR” Transient/Surge Absorbers

Type: **G**



High energy transient over voltages generated by switching on/off of a vacuum relay in power distribution line can cause insulation breakdown of high voltage electronic equipment/devices and power cables etc... The ZNR Type F and G are gapless type arresters using sintered bodies of zinc-oxide and are characterized by the excellent characteristics of high energy handling capability, fast response time and low clamp ratio etc...

The ZNR and G have wide applications for protection of high-voltage motors, transformers, rectifiers and anticorrosion layers of powercables from high energy transient overvoltages/surges.

Recommended Applications

- Protection of high voltage motors, transformers or rectifiers from switching surges
- Switching surge absorption in vacuum circuit interrupters
- Protection of anti-corrosion layer of under ground electric power cable from induced lightning or switching surges

Note: Ask our factory for Product Specification before use.

Minimum Quantity / Packing Unit

Please see Page 360

RoHS compliant

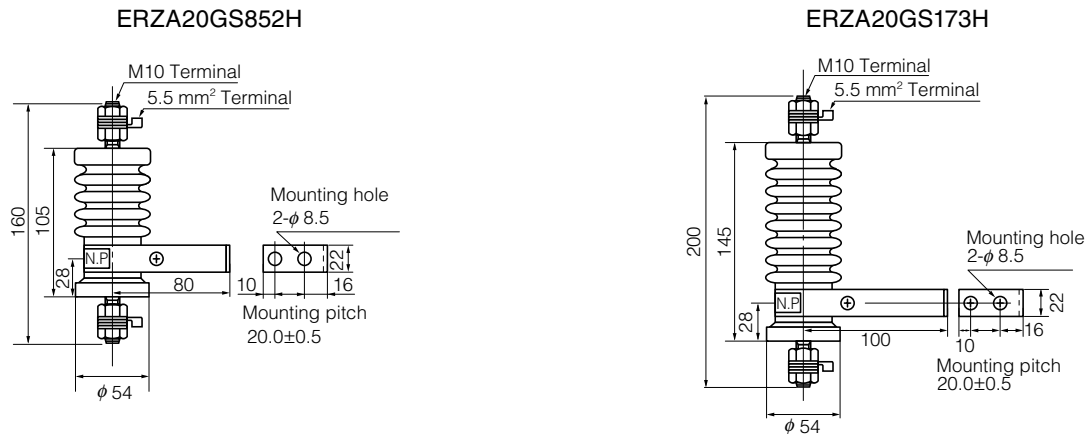
Ratings and Characteristics

- Operating Temperature Range: -25 to 70 °C
- Storage Temperature Range: -40 to 85 °C

Part No.	ERZA20GS852H	ERZA20GS173H
Characteristics		
Connection	AC 3.3 kV Line-Ground	AC 6.6 kV Line-Ground
Varistor Voltage (V_{1mA})	8.50± ^{0.75} _{0.50} kV	17.0± ^{1.5} _{1.0} kV
Maximum Clamping Voltage @ 100 A (8/20 μs)	12.75 kV	25.5 kV
Maximum Peak Current (8/20 μs, 2 times)	5000 A	5000 A
Maximum Allowable Voltage	AC 3.45 kV	AC 6.9 kV
Impulse Life (2 ms, 10 ⁴ times)	20 A	20 A
Maximum Allowable Energy	1300 J	2600 J

Design and specifications are each subject to change without notice. Ask factory for the current technical specifications before purchase and/or use. Should a safety concern arise regarding this product, please be sure to contact us immediately.

■ Dimensions in mm (not to scale)



■ Ratings and Characteristics

- Operating Temperature Range: -25 to 70 °C
- Storage Temperature Range: -40 to 85 °C

Characteristics	ERZA48GK502
Connection	Across the Anti-corrosion layers
Varistor Voltage (V_{1mA})	5.0 kV±0.5 kV
Clamping Voltage (8/20 μs)	14 kV at V23 kA
Maximum Peak Current (8/20 μs)	21 kA 100 times

■ Dimensions in mm (not to scale)

ERZA48GK502

