

Series AXP 100

100 Watt Power Resistor with (4) wire Terminals, Version B for enforced mechanical stability

This new design of the non-inductive thick film Metal Oxide Technology with the wire terminals eliminates the possibility for problems regarding creeping distance from terminal to ground. This unique design will allow you to use this element in the following areas: Variable Speed Drives; Power Supplies; Control Devices; Telecommunications; Robotics; Motor Controls and other Switching Devices.

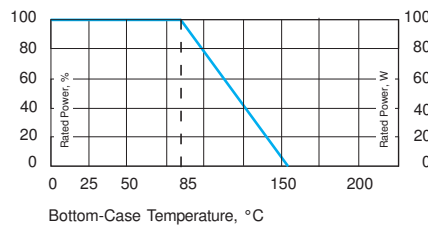
Best results can be reached by using a thermal transfer compound with a heat conductivity of better than 1W/mK. The flatness of the cooling plate must be better than 0.05mm overall. The roughness of the surface should not exceed 6.4µm.

Suggested Mounting Procedure:

- 1) Position component and press down by hand.
- 2) Fix both mounting screws (M4) with 0.1 to 0.2 Nm torque.
- 3) Apply final torque to mounting screws of 1.0 to 1.2 Nm max.

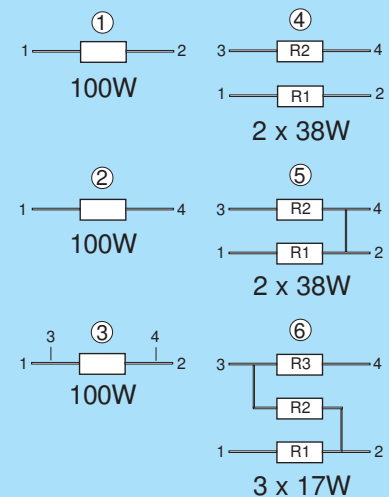
Specifications

- Resistance Range: 1Ω to 1MΩ
- Standard tolerance: ±1% to ±10%
- Temperature coefficient: ±50, ±100ppm, ±250ppm (at +105°C ref. to +25°C)
- Max. Work. Voltage: 500V (up to 1,500V DC on special request)
- Power rating: at 85°C BCT
- Short Time Overload: 1.5 x rated power for 10 sec, ΔR = 0.4% max. (for conf. 1, 2 and 3)
- Standard wire length: L = 100mm (other lengths are available on special request)
- Electric strength: 5kV DC (3kV AC higher values on request)
- Max. Torque: 1.2Nm
- Working temp. range: -55 up to 155 °C

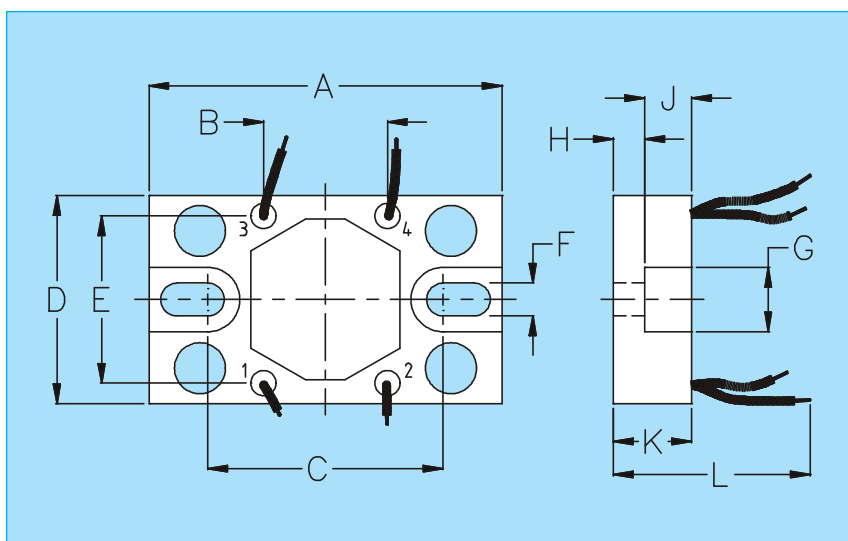


Derating (thermal resistance):
1.42W/°K (0.70°K/W).
(for conf. 1, 2 and 3)

Configurations (P/package)



Version 5: ohmic value between contact 2 and 4 = 3mΩ



Dim.	Millimeters		Inches	
	Min.	Max.	Min.	Max.
A	44.8	45.2	1.764	1.779
B	16.3	17.3	0.642	0.681
C	29.7	30.1	1.169	1.185
D	26.2	26.6	1.031	1.047
E	22.0	23.0	0.866	0.906
F	4.1	4.3	0.161	0.169
G	8.0	8.4	0.315	0.331
H	4.1	4.4	0.161	0.173
J	5.8	6.2	0.228	0.244
K	10.0	10.5	0.394	0.413
L	100.0	105.0	3.937	4.134

In the above spec sheet, you will find our standard product, please contact your local manufacturing representative or call us direct to find out details of other options available regarding this style. Please see our website for the most updated information!