

## Series HPS 150

Non-Inductive 150 Watt Power Resistor according to VDE 0160 and UL 94V-0

EBG's series HPS is rated at 150 Watts mounted to a heat sink. The increased height of the package makes this resistor ideal in applications where creeping distance must meet VDE 0160 and UL 094-V0 standards. A few features of the HPS include:

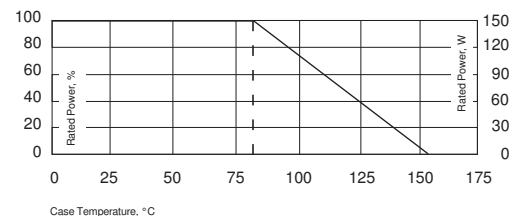
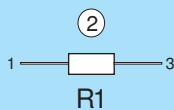
- 150 Watts at 85°C
- Non-Inductive Design
- Easy mounting using already existing infrastructure

### Specifications

- Resistance Range: 1Ω to 1MΩ (other values on request)
- Tolerance: ±1, ±2, ±5, ±10%
- Temperature Coefficient: ±50ppm, ±100ppm, ±250ppm (at +105°C ref. to +25°C)
- Power Rating at 85°C: 150 W (others upon request)
- Max. Working Voltage: 500V (up to 1,000V on special request)
- Voltage Proof: 5,000 VDC, 3,000 VAC
- Insulation Resistance: 10GΩ Min. @ 1kV DC
- Heat Resistance to Cooling Plate: < 0.47 °K/W
- Capacitance/Mass: 45pF
- Working Temp. Range: -55°C to +155°C
- Max. Torque for Base Plate (static): 1.5 Nm M5 screws
- Max. Torque for Contacts (static): 1.3 Nm M4 screws
- For pulse power details, please see page 32 (datasheet UXP-300)!

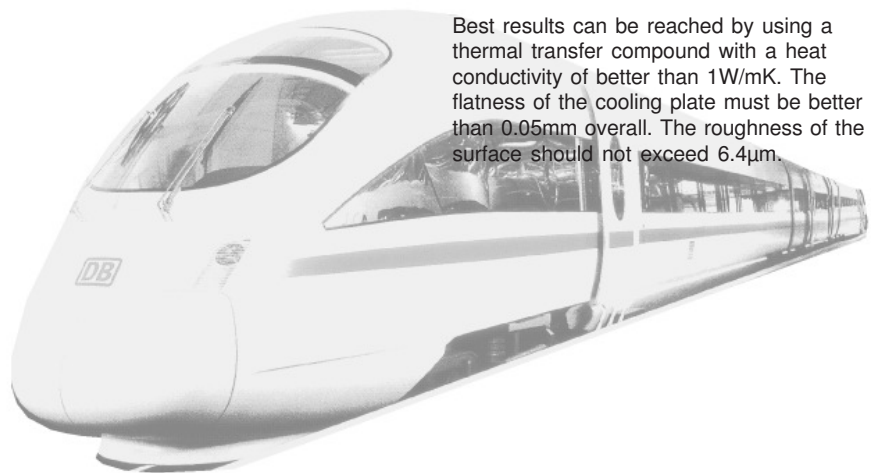


### Configuration:

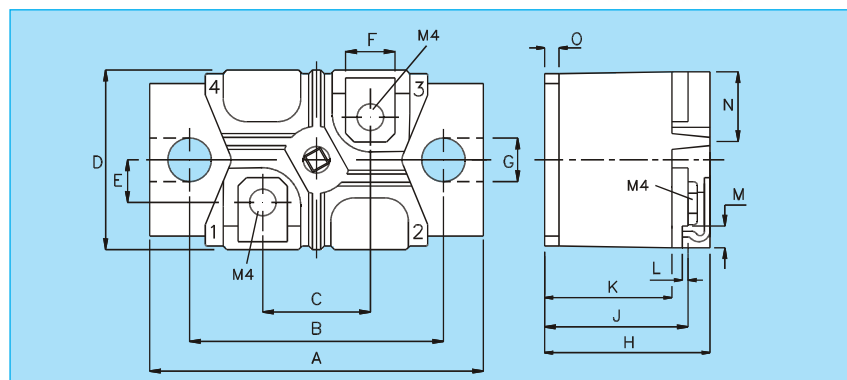


Derating (thermal resistance):  
2.14W/°K (0.47°K/W).

Dim.	Millimeter		Inches	
	Min.	Max.	Min.	Max.
A	44.7	46.5	1.760	1.831
B	34.7	35.3	1.366	1.390
C	14.8	15.2	0.583	0.598
D	--	26.5	--	1.043
E	6.25	6.45	0.246	0.254
F	7.4	7.8	0.291	0.307
G	5.9	6.1	0.232	0.240
H	20.9	21.3	0.823	0.839
J	18.0	18.4	0.709	0.724
K	16.0	16.4	0.630	0.646
L	0.77	0.83	0.0303	0.0326
M	2.9	3.1	0.114	0.122
N	9.4	9.8	0.370	0.386
O	1.9	2.1	0.075	0.083



Best results can be reached by using a thermal transfer compound with a heat conductivity of better than 1W/mK. The flatness of the cooling plate must be better than 0.05mm overall. The roughness of the surface should not exceed 6.4μm.



- Air distance contact to contact:
- Contact to contact > 9.2mm
  - Contact to base plate (with mounting screw M5 and washer) > 13.2mm

- Creeping distance:
- Contact to base plate > 17.0mm
  - Contact to contact
    - > without PT-screw > 22.8mm
    - > with PT-screw > 20.2mm

In the above spec sheet, you will find our standard product, please contact your local manufacturing representative or call us direct to find out details of other options available regarding this style. Please see our website for the most updated information!