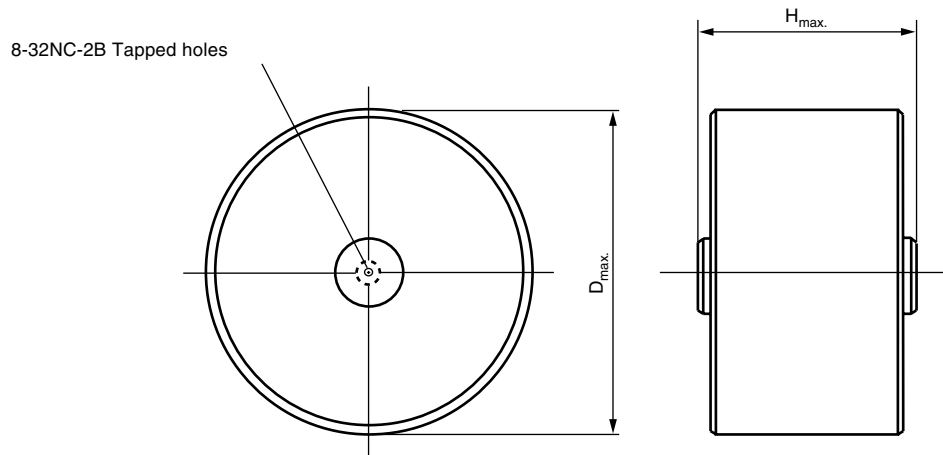


High Voltage Disc Capacitors, Screw Terminal Mounting

715C15DK... 15 kV_{DC}
715C20DK... 20 kV_{DC}
715C30DK... 30 kV_{DC}
715C40DK... 40 kV_{DC}



Notes

- Screw torque limit must be 12 inch pounds. Use #8-32, 3/16" long screw to prevent bottoming
- Dimensions in millimeters (inches)
- M5 metric terminals available on request, consult factory

DIELECTRIC STRENGTH

150 % of rated voltage, charging current limited to 50 mA

DISSIPATION FACTOR $\tan\delta$

Y5U: $\leq 20 \times 10^{-3}$ (1 kHz)

INSULATION RESISTANCE

Min. 200 000 M Ω or 1000 Ω F min. at 25 °C

CORONA LIMIT

< 5 pC at 50 % rated AC voltage

OPERATING TEMPERATURE RANGE

- 30 °C to + 85 °C

MATERIAL

Capacitor elements made from Class 3 ceramic in a molded epoxy case. Screw terminals: brass, silver plated

MARKING

Type designator, capacitance value, rated DC voltage, ceramic material code, production date code, CERA-MITE logo

POWER DISSIPATION

Limit to 25 °C rise above ambient, measured on case

CAPACITANCE TOLERANCES

- 20 % to + 80 %

ORDERING INFORMATION				
715C15DKD20	15 kV _{DC}	2000 pF	- 20 to + 80 %	Y5U
MODEL	RATED VOLTAGE	CAPACITANCE VALUE	TOLERANCE	CERAMIC



MODEL	CERAMIC	CAPACITANCE VALUES (pF)	RATED VOLTAGE (kV _{DC})	RATED VOLTAGE (kV _{RMS})	D _{max.}	H _{max.}
715C15DK...						
715C15DKD15	Y5U	1500	15	4	26.7 (1.05)	22.9 (0.90)
715C15DKD20		2000			33.0 (1.30)	22.9 (0.90)
715C15DKD33		3300			39.4 (1.55)	22.9 (0.90)
715C15DKD47		4700			33.0 (1.30)	22.9 (0.90)
715C15DKS10		10 000			45.7 (1.80)	22.9 (0.90)
715C20DK...						
715C20DKT50	Y5U	500	20	5	22.4 (0.88)	25.4 (1.00)
715C20DKD10		1000			33.0 (1.30)	25.4 (1.00)
715C20DKD13		1300			33.0 (1.30)	25.4 (1.00)
715C20DKD25		2500			39.4 (1.55)	25.4 (1.00)
715C20DKD33		3300			45.7(1.80)	25.4 (1.00)
715C20DKD47		4700			54.1 (2.13)	25.4 (1.00)
715C20DKD68		6800			61.5 (2.42)	25.4 (1.00)
715C30DK...						
715C30DKT50	Y5U	500	30	7	26.7 (1.05)	34.5 (1.36)
715C30DKD10		1000			33.0 (1.30)	30.0 (1.18)
715C30DKD25		2500			45.7 (1.80)	30.0 (1.18)
715C30DKD33		3300			54.1 (2.13)	30.0 (1.18)
715C30DKD47		4700			61.5 (2.42)	30.0 (1.18)
715C40DK...						
715C40DKT30	Y5U	300	40	9	22.4 (0.88)	34.5 (1.36)
715C40DKT50		500			26.7 (1.05)	34.5 (1.36)
715C40DKT78		780			33.0 (1.30)	34.5 (1.36)
715C40DKD10		1000			39.4 (1.55)	34.5 (1.36)
715C40DKD16		1600			45.7 (1.80)	34.5 (1.36)
715C40DKD25		2500			54.1 (2.13)	34.5 (1.36)
715C40DKD33		3300			58.4 (2.30)	34.5 (1.36)



Disclaimer

ALL PRODUCT, PRODUCT SPECIFICATIONS AND DATA ARE SUBJECT TO CHANGE WITHOUT NOTICE TO IMPROVE RELIABILITY, FUNCTION OR DESIGN OR OTHERWISE.

Vishay Intertechnology, Inc., its affiliates, agents, and employees, and all persons acting on its or their behalf (collectively, "Vishay"), disclaim any and all liability for any errors, inaccuracies or incompleteness contained in any datasheet or in any other disclosure relating to any product.

Vishay makes no warranty, representation or guarantee regarding the suitability of the products for any particular purpose or the continuing production of any product. To the maximum extent permitted by applicable law, Vishay disclaims (i) any and all liability arising out of the application or use of any product, (ii) any and all liability, including without limitation special, consequential or incidental damages, and (iii) any and all implied warranties, including warranties of fitness for particular purpose, non-infringement and merchantability.

Statements regarding the suitability of products for certain types of applications are based on Vishay's knowledge of typical requirements that are often placed on Vishay products in generic applications. Such statements are not binding statements about the suitability of products for a particular application. It is the customer's responsibility to validate that a particular product with the properties described in the product specification is suitable for use in a particular application. Parameters provided in datasheets and/or specifications may vary in different applications and performance may vary over time. All operating parameters, including typical parameters, must be validated for each customer application by the customer's technical experts. Product specifications do not expand or otherwise modify Vishay's terms and conditions of purchase, including but not limited to the warranty expressed therein.

Except as expressly indicated in writing, Vishay products are not designed for use in medical, life-saving, or life-sustaining applications or for any other application in which the failure of the Vishay product could result in personal injury or death. Customers using or selling Vishay products not expressly indicated for use in such applications do so at their own risk and agree to fully indemnify and hold Vishay and its distributors harmless from and against any and all claims, liabilities, expenses and damages arising or resulting in connection with such use or sale, including attorneys fees, even if such claim alleges that Vishay or its distributor was negligent regarding the design or manufacture of the part. Please contact authorized Vishay personnel to obtain written terms and conditions regarding products designed for such applications.

No license, express or implied, by estoppel or otherwise, to any intellectual property rights is granted by this document or by any conduct of Vishay. Product names and markings noted herein may be trademarks of their respective owners.