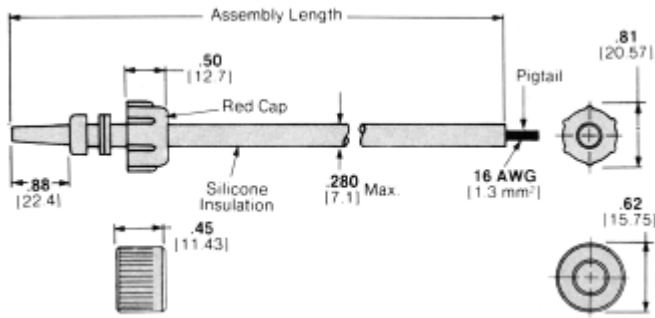
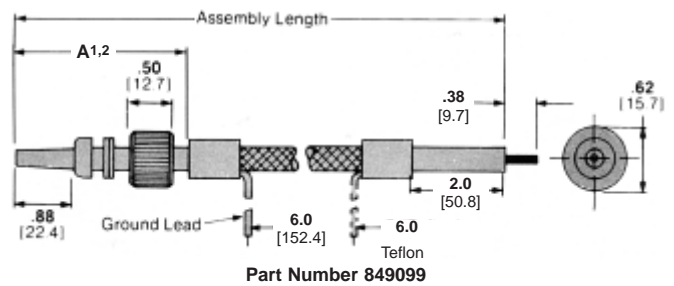


**Single End Lead Assemblies**



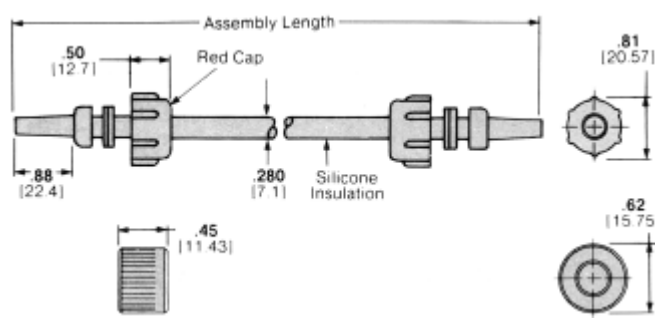
Part Number 837655 and 863701

**Shielded Single End Lead Assemblies**



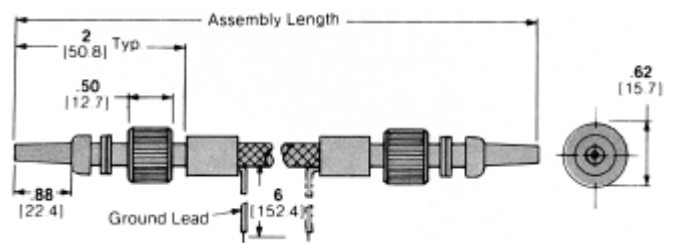
Part Number 849099

**Double End Lead Assemblies**



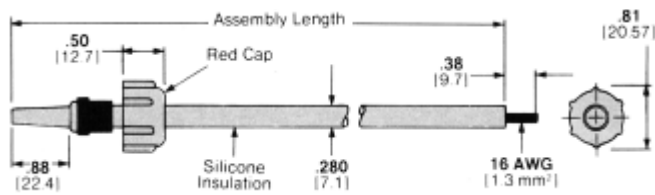
Part Number 830126 and 863702

**Shielded Double End Lead Assemblies**



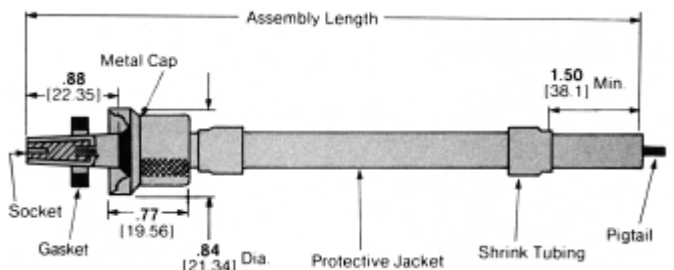
Part Number 849104

**Single End Lead Assemblies with Positive Stop Ferrules**



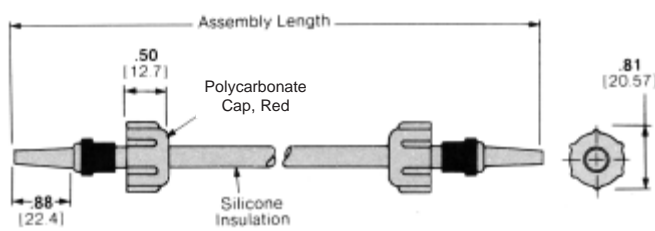
Part Number 862549 and 863703

**RFI Shielded Single End Lead Assemblies\***



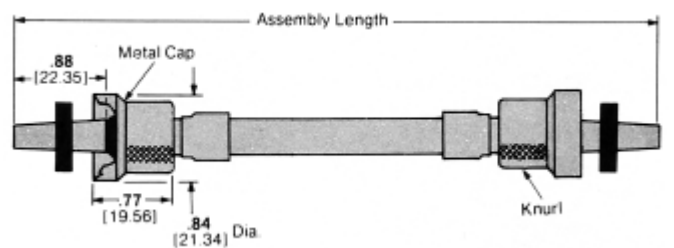
Part Number 861811

**Double End Lead Assemblies with Positive Stop Ferrules**



Part Number 862550

**RFI Shielded Double End Lead Assemblies\***



Part Number 861812

TEFLON is a trademark of E. I. DuPont de Nemours and Company.

\* These RFI Shielded Lead Assemblies mate with Receptacle Part Number 861254-1.

LGH Lead Assemblies and Receptacles, 20 KVDC, LGH 1 (Continued)

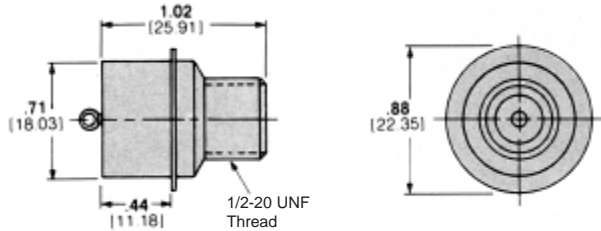
Lead Assemblies (Continued)

Description	Assembly Length	Part Numbers						
		Polycarbonate Cap		Glass-Filled Polyester Cap		Glass Epoxy Cap		Metal Cap Non-RoHS
		Non-RoHS	RoHS	Non-RoHS	RoHS	Non-RoHS	RoHS	
Single End Lead Assemblies	6 152.4	837655-7	5837655-7	863701-7	—	—	—	
	12 304.8	1-837655-1	1-5837655-1	1-863701-1	1-5863701-1	—	—	
	18 457.2	1-837655-0	1-5837655-0	1-863701-0	—	—	—	
	24 609.6	837655-8	—	863701-8	5863701-8	—	—	
	36 914.4	837655-5	5837655-5	863701-5	5863701-5	—	—	
	48 1219.2	1-837655-3	1-5837655-3	1-863701-3	1-5863701-3	—	—	
Double End Lead Assemblies	6 152.4	—	—	863702-2	—	830126-2	—	
	12 304.8	1-830126-3	—	1-863702-3	—	—	—	
	18 457.2	1-830126-2	—	1-863702-2	—	—	—	
	24 609.6	1-830126-6	—	1-863702-6	—	—	—	
	36 914.4	1-830126-7	—	1-863702-7	—	—	—	
	48 1219.2	2-830126-1	—	2-863702-1	—	—	—	
Single End Lead Assemblies (with Positive Stop Ferrules)	6 152.4	862549-1	—	863703-1	—	—	—	
	12 304.8	862549-4	5-862549-4	863703-4	—	—	—	
	18 457.2	862549-6	—	863703-6	—	—	—	
	24 609.6	862549-8	—	863703-8	—	—	—	
	36 914.4	862549-9	5-862549-9	863703-9	—	—	—	
	48 1219.2	1-862550-3	—	—	—	—	—	
Double End Lead Assemblies (with Positive Stop Ferrules)	6 152.4	862550-1	—	—	—	—	—	
	12 304.8	862550-4	—	—	—	—	—	
	18 457.2	862550-6	—	—	—	—	—	
	24 609.6	862550-8	—	—	—	—	—	
	36 914.4	862550-9	—	—	—	—	—	
	48 1219.2	1-862550-3	—	—	—	—	—	
Shielded Single End Lead Assemblies	6 152.4	—	—	—	—	849099-7 <sup>1</sup>	—	
	12 304.8	—	—	—	—	1-849099-2 <sup>1</sup>	—	
	18 457.2	—	—	—	—	849103-5 <sup>2</sup>	5-849103-5 <sup>2</sup>	
	24 609.6	—	—	—	—	849099-9 <sup>1</sup>	—	
	36 914.4	—	—	—	—	849103-1† <sup>2</sup>	—	
	48 1219.2	—	—	—	—	1-849103-9 <sup>2</sup>	—	
Shielded Double End Lead Assemblies	18 457.2	—	—	—	—	1-849104-5	—	
	24 609.6	—	—	—	—	849104-1	—	
	36 914.4	—	—	—	—	1-849104-6*	—	
	48 1219.2	—	—	—	—	1-849104-7	6-849104-7	
	12 304.8	—	—	—	—	1-849104-9*	—	
	18 457.2	—	—	—	—	849104-3	5-849104-3	
RFI Shielded Single End Lead Assemblies**	12 304.8	—	—	—	—	—	861811-1	
	18 457.2	—	—	—	—	—	861811-4	
	24 609.6	—	—	—	—	—	861811-5	
	48 1219.2	—	—	—	—	—	861812-1	
RFI Shielded Double End Lead Assemblies**	12 304.8	—	—	—	—	—	861812-1	
	18 457.2	—	—	—	—	—	861812-4	
	24 609.6	—	—	—	—	—	861812-3	
	48 1219.2	—	—	—	—	—	861812-2	

\*Two ground leads, 6 [152.4] each.  
 \*\*These RFI Shielded Lead Assemblies mate with Receptacle Part Number 861254-1.  
 †One ground lead, terminated end only. <sup>1</sup>A dim. 3.0 [76.2]. <sup>2</sup>A dim. 2.0 [50.8].

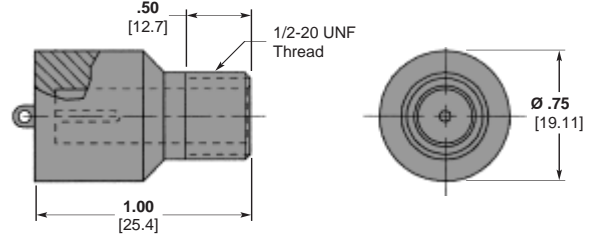
**Glass-Epoxy Receptacles with .88 [22.35] Barrel Depth**

Flanged, for Hermetic Seal  
Part Number 861254-1  
RoHS Part Number 5-861254-1  
Weight — 5 grams

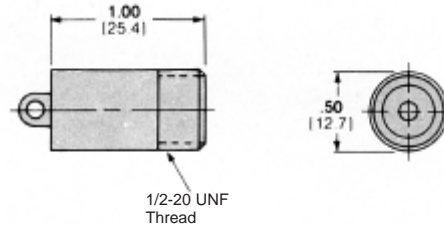


These receptacles are for use with RFI Shielded Lead Assemblies shown on the preceding page.

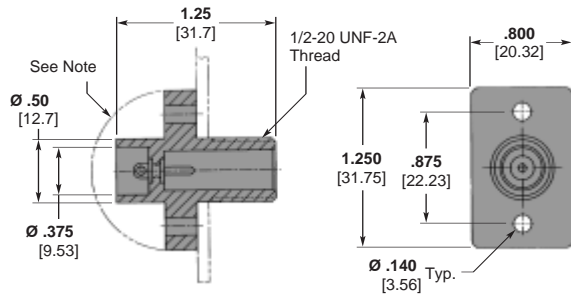
**Molded Receptacle**  
Part Number 850306-3  
RoHS Part Number 5-850306-3



**For Encapsulated Units**  
Part Number 834333-2  
RoHS Part Number 5-834333-2  
Weight — 4 grams

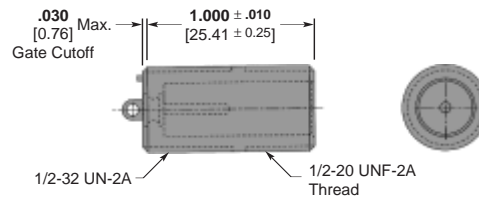


**Bulkhead Receptacle**  
Part Number 449690-1  
RoHS Part Number 5-449690-1

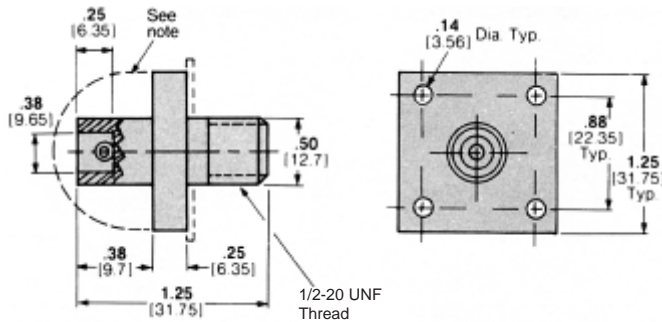


**Note:** Customer must protect back end against arc-over and breakdown if bulkhead and mounting hardware are metallic and at ground potential.

**Special Receptacle**  
Part Number 448463-1

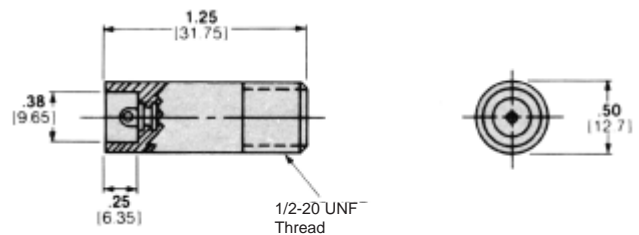


**Flanged, Bolt Mount**  
Part Number 858827-1  
RoHS Part Number 5-858827-1  
Weight — 16 grams



**Note:** If the panel or mounting hardware is at ground potential, guard against arc-over and breakdown within the area defined by this line.

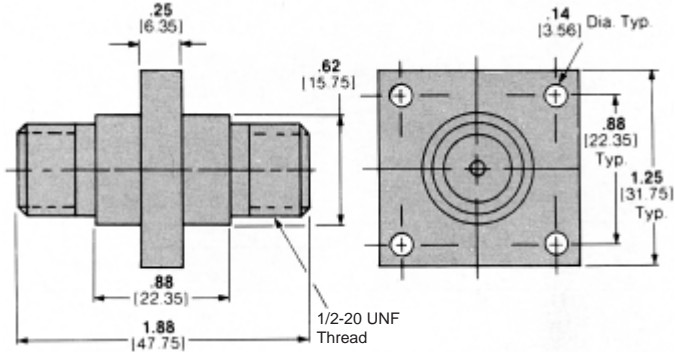
**With Recessed Terminal for Encapsulated Units**  
Part Number 849610-3  
RoHS Part Number 5-849610-3  
Weight — 5 grams



Receptacles are available with gold plated contacts.

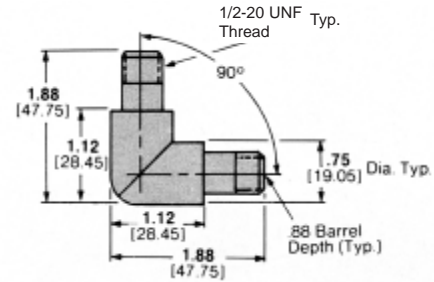
**Glass-Epoxy Receptacles with .88 [22.35] Barrel Depth**  
(Continued)

**Bolt Mount, Feed-Through**  
Part Number 846793-1  
Weight — 23 grams



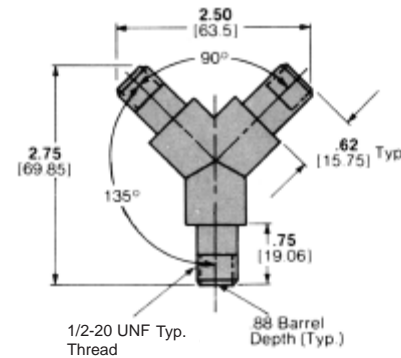
**L-Shape Receptacles with .88 [22.35] Barrel Depth**

**Splice**  
Part Number 849662-1 —  
Tin Plated Pins

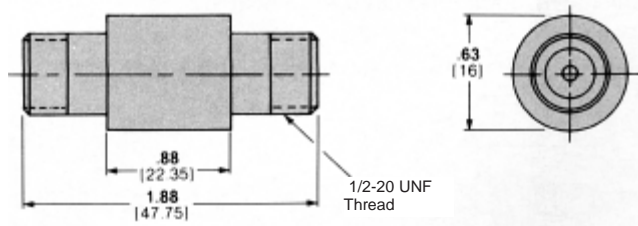


**Y-Shape Receptacles with .88 [22.35] Barrel Depth**

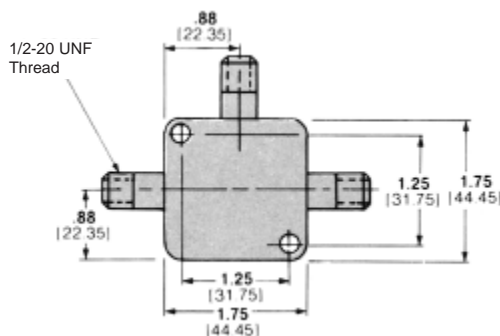
**Splice**  
Part Number 849693-1 —  
Tin Plated Pins



**Splice**  
Part Number 830149-1  
Weight — 10 grams

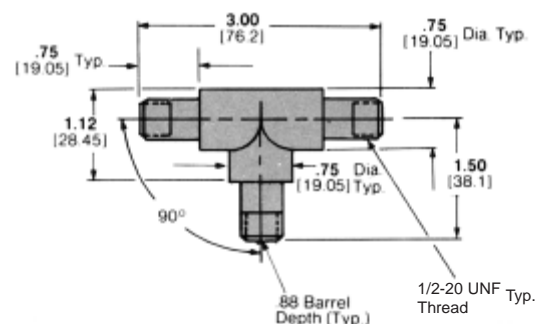


**T-Shape Connector**  
Part Number 836674-1  
RoHS Part Number 5-836674-1  
Weight — 100 grams



**T-Shape Receptacles with .88 [22.35] Barrel Depth**

**Splice**  
Part Number 849671-1 —  
Tin Plated Pins



Receptacles are available with gold plated contacts.