

FIGURE 73

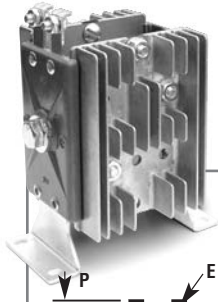
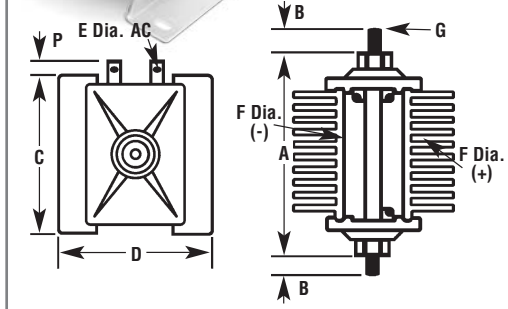
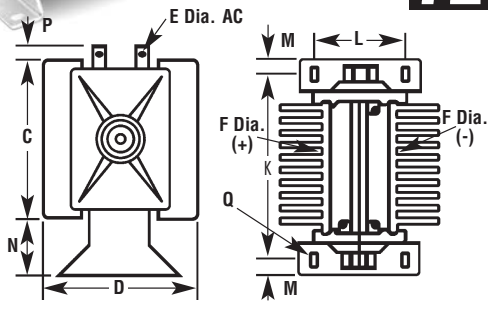
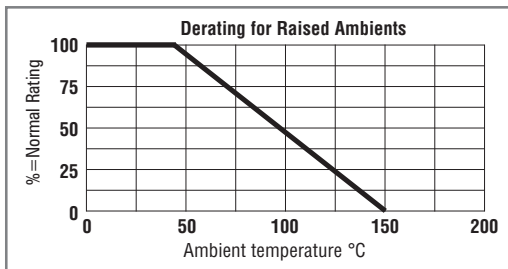


FIGURE 72



Dimensions

	X Type		Y Type	
	Inches	Millimeters	Inches	Millimeters
A	4.31	109.4	4.0	101.6
B	.625	15.87	0.5	12.7
C	4.0	101.6	2.5	63.5
D	3.12	79.2	2.56	65.0
E	.201	5.10	.177	4.495
F	.265	6.731	.198	5.029
G	3/8 - 16UNC - 3A		5/16 - 16UNC - 3A	
K	3.93	15.87	3.75	95.2
L	1.5	101.6	1.25	31.7
M	.281	79.2	.281	7.137
N	.875	5.10	.937	23.79
P	.625	6.731	.625	15.87
Q	3/16x5/16		3/16x5/16	



Please Note: Other circuit arrangements available, doubler, quadrupler, single phase and three phase bridges. Fast recovery and MOV compensation can be requested.

Part Number	Rep. PIV V _{RRM} In Volts	Avg. Forward Current (Amps) @		Max. Forward Voltage Drop V _{F@I_F} V (Volts)	Max. Reverse Current I _{R@V_{RRM@25°C}} mA (milliAmps)	Max. Surge Current I _{FSM} (8.3ms) A (Amps)	Figure Number
		40°C	40°C (Forced Air 800 LFM)				
Single Phase							
Y2102B1*1	200	14	26	1.2	5.0	370	Fig. 73
Y2104B1*1	400	14	26	1.2	5.0	370	Fig. 73
Y2106B1*1	600	14	26	1.2	5.0	370	Fig. 73
Y2108B1*1	800	14	26	1.2	5.0	370	Fig. 73
Y2110B1*1	1000	14	26	1.2	5.0	370	Fig. 73
Y2112B1*1	1200	14	26	1.2	5.0	370	Fig. 73
Y2114B1*1	1400	14	26	1.2	5.0	370	Fig. 73
Y2116B1*1	1600	14	26	1.2	5.0	370	Fig. 73
X2102B1*1	200	22	40	1.2	5.0	370	Fig. 72
X2104B1*1	400	22	40	1.2	5.0	370	Fig. 72
X2106B1*1	600	22	40	1.2	5.0	370	Fig. 72
X2108B1*1	800	22	40	1.2	5.0	370	Fig. 72
X2110B1*1	1000	22	40	1.2	5.0	370	Fig. 72
X2112B1*1	1200	22	40	1.2	5.0	370	Fig. 72
X2114B1*1	1400	22	40	1.2	5.0	370	Fig. 72
X2116B1*1	1600	22	40	1.2	5.0	370	Fig. 72
X3402B1*1	200	35	68	1.2	5.0	1050	Fig. 72
X3404B1*1	400	35	68	1.2	5.0	1050	Fig. 72
X3406B1*1	600	35	68	1.2	5.0	1050	Fig. 72
X3408B1*1	800	35	68	1.2	5.0	1050	Fig. 72
X3410B1*1	1000	35	68	1.2	5.0	1050	Fig. 72
X3412B1*1	1200	35	68	1.2	5.0	1050	Fig. 72
X3414B1*1	1400	35	68	1.2	5.0	1050	Fig. 72
X3416B1*1	1600	35	68	1.2	5.0	1050	Fig. 72
X3702B1*1	200	43	80	1.2	5.0	1500	Fig. 72
X3704B1*1	400	43	80	1.2	5.0	1500	Fig. 72
X3706B1*1	600	43	80	1.2	5.0	1500	Fig. 72
X3708B1*1	800	43	80	1.2	5.0	1500	Fig. 72
X3710B1*1	1000	43	80	1.2	5.0	1500	Fig. 72
X3712B1*1	1200	43	80	1.2	5.0	1500	Fig. 72
X3714B1*1	1400	43	80	1.2	5.0	1500	Fig. 72
X3716B1*1	1600	43	80	1.2	5.0	1500	Fig. 72
Three Phase							
Y2102Z1*1	200	22	42	1.2	5.0	370	Fig. 73
Y2104Z1*1	400	22	42	1.2	5.0	370	Fig. 73
Y2106Z1*1	600	22	42	1.2	5.0	370	Fig. 73
Y2108Z1*1	800	22	42	1.2	5.0	370	Fig. 73
Y2110Z1*1	1000	22	42	1.2	5.0	370	Fig. 73
Y2112Z1*1	1200	22	42	1.2	5.0	370	Fig. 73
Y2114Z1*1	1400	22	42	1.2	5.0	370	Fig. 73
Y2116Z1*1	1600	22	42	1.2	5.0	370	Fig. 73
X2102Z1*1	200	26	55	1.2	5.0	370	Fig. 72
X2104Z1*1	400	26	55	1.2	5.0	370	Fig. 72
X2106Z1*1	600	26	55	1.2	5.0	370	Fig. 72
X2108Z1*1	800	26	55	1.2	5.0	370	Fig. 72
X2110Z1*1	1000	26	55	1.2	5.0	370	Fig. 72
X2112Z1*1	1200	26	55	1.2	5.0	370	Fig. 72
X2114Z1*1	1400	26	55	1.2	5.0	370	Fig. 72
X2116Z1*1	1600	26	55	1.2	5.0	370	Fig. 72
X3402Z1*1	200	55	100	1.2	5.0	1050	Fig. 72
X3404Z1*1	400	55	100	1.2	5.0	1050	Fig. 72
X3406Z1*1	600	55	100	1.2	5.0	1050	Fig. 72
X3408Z1*1	800	55	100	1.2	5.0	1050	Fig. 72
X3410Z1*1	1000	55	100	1.2	5.0	1050	Fig. 72
X3412Z1*1	1200	55	100	1.2	5.0	1050	Fig. 72
X3414Z1*1	1400	55	100	1.2	5.0	1050	Fig. 72
X3416Z1*1	1600	55	100	1.2	5.0	1050	Fig. 72
X3702Z1*1	200	65	120	1.2	5.0	1500	Fig. 72
X3704Z1*1	400	65	120	1.2	5.0	1500	Fig. 72
X3706Z1*1	600	65	120	1.2	5.0	1500	Fig. 72
X3708Z1*1	800	65	120	1.2	5.0	1500	Fig. 72
X3710Z1*1	1000	65	120	1.2	5.0	1500	Fig. 72
X3712Z1*1	1200	65	120	1.2	5.0	1500	Fig. 72
X3714Z1*1	1400	65	120	1.2	5.0	1500	Fig. 72
X3716Z1*1	1600	65	120	1.2	5.0	1500	Fig. 72

*Available with bracket (B) or stud (N) mounting. Fast recovery and MOV compensation can be requested.