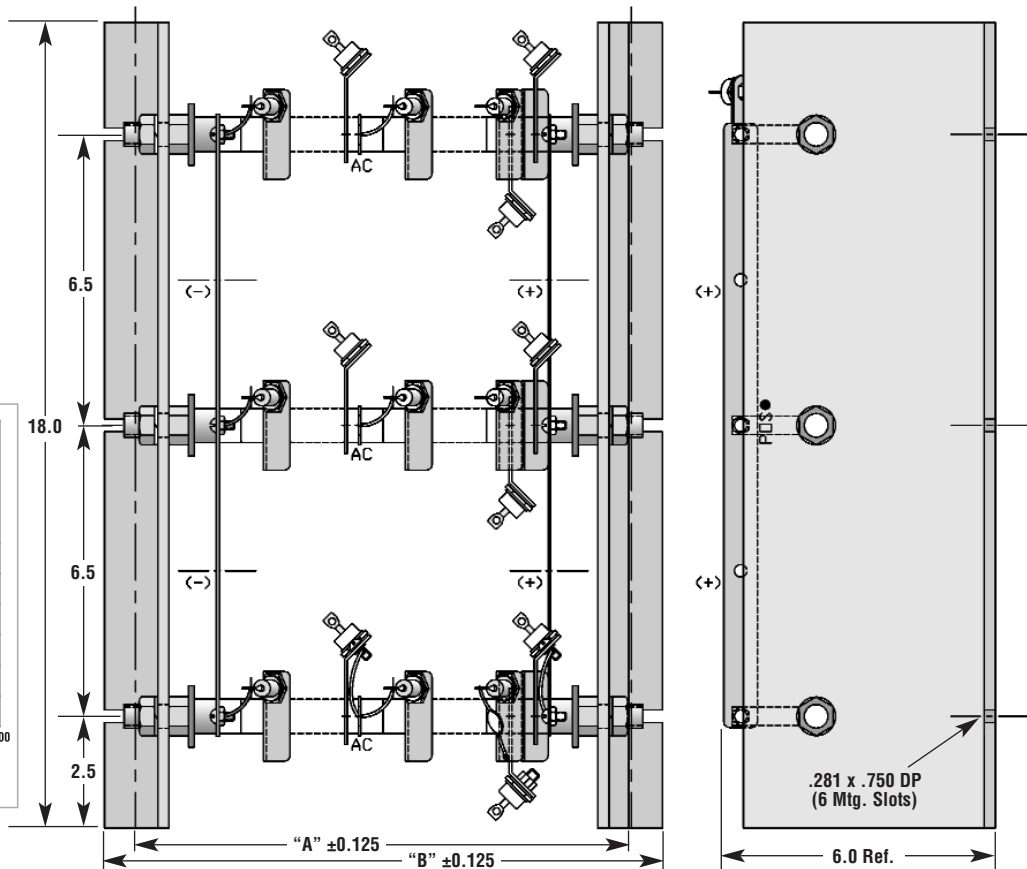
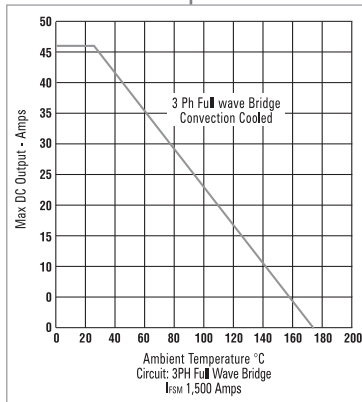
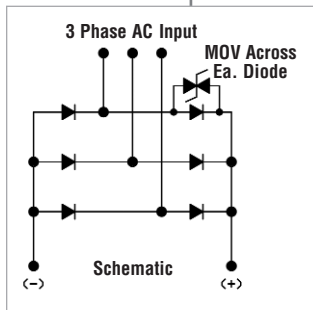




FIGURE 128



CKE Number	PRV Rating Per Leg	Recommended Input PIV	V _r @I _r =14 Amps Per Leg	DIM "A"	DIM "B"
3PHFWB40A4KV	4000	2000	4	8.161	9.380
3PHFWB40A8KV	8000	4000	8	10.411	11.630
3PHFWB40A12KV	12000	6000	12	12.661	13.880
3PHFWB40A16KV	16000	8000	16	14.911	16.130
3PHFWB40A20KV	20000	10000	20	17.161	18.380
3PHFWB40A24KV	24000	12000	24	19.411	20.630
3PHFWB40A28KV	28000	14000	28	21.661	22.880
3PHFWB40A32KV	32000	16000	32	23.911	25.130
3PHFWB40A36KV	36000	18000	36	26.161	27.380

Conducting - on state

Parameter	Symbol	Min.	Max.	Typ.	Units	Conditions
Average value of output current	I _{F(DC)}		42		A	T _{amb} @40°C
Repetitive peak reverse leakage @ Operating Voltage	I _{RRM}		<100μA			
Peak one cycle surge (non repetitive) current	I _{FSM}		1500		A	8.3 msec (60Hz), sinusoidal wave-shape, 180° conduction, T _j =150 °C
Max I ² t for Fusing	I ² t		9400		A	8.3 msec
Operating junction temperature	T _j	-40	+180		°C	
Storage temperature	T _{stg}	-40	+125		°C	

* For guaranteed maximum values, contact factory